

# ROGUE



## User Manual



Model ID: ROGUEOUTCAST1MBEAM



## Edition Notes

The Rogue Outcast 1M Beam User Manual includes a description, safety precautions, installation, programming, operation, and maintenance instructions for the Rogue Outcast 1M Beam as of the release date of this edition.

## Trademarks

Chauvet, Chauvet Professional, the Chauvet logo, Rogue, Outcast, and Rogue Outcast are registered trademarks or trademarks of Chauvet & Sons, LLC (d/b/a Chauvet and Chauvet Lighting) in the United States and other countries. Other company and product names and logos referred to herein may be trademarks of their respective companies.

## Copyright Notice

The works of authorship contained in this manual, including, but not limited to, all designs, text, and images are owned by Chauvet.

© Copyright 2024 Chauvet & Sons, LLC. All rights reserved.

Electronically published by Chauvet in the United States of America.

## Manual Use

Chauvet authorizes its customers to download and print this manual for professional information purposes only. Chauvet expressly prohibits the usage, copy, storage, distribution, modification, or printing of this manual or its content for any other purpose without written consent from Chauvet.

## Document Printing

For best results, print this document in color, on letter size paper (8.5 x 11 in), double-sided. If using A4 paper (210 x 297 mm), configure the printer to scale the content accordingly.

## Intended Audience

Any person installing, operating, and/or maintaining this product should completely read through the guide that shipped with the product, as well as this manual, before installing, operating, or maintaining this product.

## Disclaimer

Chauvet believes that the information contained in this manual is accurate in all respects. However, Chauvet assumes no responsibility and specifically disclaims any and all liability to any party for any loss, damage, or disruption caused by any errors or omissions in this document, whether such errors or omissions result from negligence, accident, or any other cause. Chauvet reserves the right to revise the content of this document without any obligation to notify any person or company of such revision, however, Chauvet has no obligation to make, and does not commit to make, any such revisions.

## Document Revision

Go to [www.chauvetprofessional.com](http://www.chauvetprofessional.com) for the latest version.

Revision	Date	Description
1	07/2024	Initial release.

**TABLE OF CONTENTS**

**1. Before You Begin** ..... 1

    What Is Included ..... 1

    Claims ..... 1

    Text Conventions ..... 1

    Symbols ..... 1

    Safety Notes..... 2

    FCC Statement of Compliance ..... 3

    Expected LED Lifespan..... 3

**2. Introduction** ..... 4

    Description ..... 4

    Features ..... 4

    Product Overview ..... 4

    Product Dimensions ..... 5

**3. Setup** ..... 6

    AC Power ..... 6

        AC Plug ..... 6

        Fuse Replacement ..... 6

        Power Linking..... 6

    DMX Linking..... 6

        DMX Personalities..... 6

        Remote Device Management..... 6

    USB Software Update ..... 7

    Mounting ..... 8

        Orientation..... 8

        Rigging ..... 8

        Procedure..... 8

**4. Operation** ..... 9

    Control Panel Description ..... 9

    Programming..... 9

    Passcode ..... 9

    Menu Map ..... 9

    DMX Configuration..... 11

        DMX Personalities..... 11

        Starting Address..... 11

    DMX Channel Assignments and Values ..... 12

        Gobo Wheel ..... 15

    Settings Configuration..... 16

        Pan Reverse ..... 16

        Tilt Reverse ..... 16

        Screen Reverse ..... 16

        Pan Angle..... 16

        Tilt Angle ..... 16

            BL.O. P/T Move ..... 16

            BL.O. Gobo Move ..... 16

        Display Backlight Timer..... 16

        Pulse Width Modulation ..... 16

Dimmer Curve .....	16
Fan Mode .....	17
LED Power .....	17
White Mode .....	17
USB Update .....	17
Reset Functions .....	17
Factory Reset.....	17
Test Mode .....	17
Auto Test.....	17
Manual Test .....	17
System Information .....	18
Offset Mode (Zero Adjust).....	18
<b>5. Maintenance.....</b>	<b>19</b>
Product Maintenance .....	19
Torque Measurements .....	19
Vacuum Test Measurements .....	19
Transporting on Truss or Racks.....	20
<b>6. Technical Specifications .....</b>	<b>21</b>
<b>Contact Us .....</b>	<b>22</b>
Warranty & Returns.....	22

## Before You Begin

# 1. Before You Begin

## What Is Included

- Rogue Outcast 1M Beam
- 2x 105 mm Omega bracket with mounting hardware
- Seetronic Powerkon IP65 power cable
- Quick Reference Guide

## Claims

Carefully unpack the product immediately and check the container to make sure all the parts are in the package and are in good condition.




If the box or the contents (the product and included accessories) appear damaged from shipping, or show signs of mishandling, notify the carrier immediately, not Chauvet. Failure to report damage to the carrier immediately may invalidate a claim. In addition, keep the box and contents for inspection.

For other issues, such as missing components or parts, damage not related to shipping, or concealed damage, file a claim with Chauvet within 7 days of delivery.

## Text Conventions

Convention	Meaning
<b>1–512</b>	A range of values
<b>50/60</b>	A set of values of which only one can be chosen
<b>Settings</b>	A menu option not to be modified
<b>&lt;ENTER&gt;</b>	A key to be pressed on the product's control panel

## Symbols

Symbol	Meaning
	Critical installation, configuration, or operation information. Not following these instructions may make the product not work, cause damage to the product, or cause harm to the operator.
	Important installation or configuration information. The product may not function correctly if this information is not used.
	Useful information.



**Any reference to data or power connections in this manual assumes the use of Seetronic IP rated cables.**



**The term “DMX” used throughout this manual refers to the USITT DMX512-A digital data transmission protocol.**

**Connection of the control signal: DMX line**

- The product has XLR sockets for DMX input and output.
- **Notice: This control circuit is isolated and belongs to the Class 2 data port.**

**The control circuit has a cumulative leakage current of less than 3.5 mA.**

## Safety Notes

Read all the following safety notes before working with this product. These notes contain important information about the installation, usage, and maintenance of this product.



**This product contains no user-serviceable parts. Any reference to servicing in this User Manual will only apply to properly trained, certified technicians. Do not open the housing or attempt any repairs.**



**All applicable local codes and regulations apply to proper installation of this product.**

- The luminaire is intended for professional use only.
- The luminaire should be positioned so that prolonged staring into the luminaire at a distance closer than 16.4 ft (5 m) is not expected.
- If the external flexible cable or cord of this luminaire is damaged, it shall be replaced by a special cord or cord exclusively available from the manufacturer or its service agent.
- The light source contained in this luminaire shall only be replaced by the manufacturer or its service agent or a similar qualified person.
- **CAUTION:**
  - This product's housing may be hot when operating. Mount this product in a location with adequate ventilation, at least 20 in (50 cm) from adjacent surfaces.
  - When transferring the product from extreme temperature environments, (e.g., cold truck to warm humid ballroom) condensation may form on the internal electronics of the product. To avoid causing a failure, allow the product to fully acclimate to the surrounding environment before connecting it to power.
  - Flashing light is known to trigger epileptic seizures. User must comply with local laws regarding notification of strobe use.
- **ALWAYS:**
  - Disconnect from power before cleaning the product.
  - When using an IP65-rated product in an outdoor environment, use IP65- (or higher) rated power and data cable.
  - Replace and secure IP-rated protective covers to all power, data, USB, or other ports when not in use.
  - Use a safety cable when mounting this product overhead.
  - Connect this product to a grounded and protected circuit.
- **DO NOT:**
  - Open this product. It contains no user-serviceable parts.
  - Look at the light source when the product is on.
  - Leave any flammable material within 20 cm of this product while operating or connected to power.
  - Connect this product to a dimmer or rheostat.
  - Operate this product if the housing, lenses, or cables appear damaged.
  - Submerge this product (adhere to standards for the published IP rating). Regular outdoor operation is fine.
  - Permanently install outdoors in locations with extreme environmental conditions. This includes, but is not limited to:
    - Exposure to a marine/saline environment (within 3 miles of a saltwater body of water).
    - Locations where normal temperatures exceed the temperature ranges in this manual.
    - Locations that are prone to flooding or being buried in snow.
    - Other areas where the product will be subject to extreme radiation or caustic substances.
  - **ONLY** use the hanging/mounting bracket to carry this product.
  - The maximum ambient temperature is 113 °F (45 °C). Do not operate this product at higher temperatures.
  - The minimum startup temperature is -4°F (-20°C). Do not start the product at lower temperatures.
  - The minimum ambient temperature is -22°F (-30°C). Do not operate the product at lower temperatures.
  - To eliminate unnecessary wear and improve its lifespan, during periods of non-use completely disconnect the product from power via breaker or by unplugging it.
  - In the event of a serious operating problem, stop using immediately.



**If this Chauvet product requires service, contact Chauvet Technical Support.**

## Before You Begin

---

### FCC Statement of Compliance

This device complies with Part 15 Part B of the FCC rules. Operation is subject to the following two conditions:

1. This device may not cause harmful interference, and
2. This device must accept any interference received, including interference that may cause undesired operation.

This equipment has been tested and found to comply with the limits for a Class B digital device, pursuant to Part 15 of the FCC Rules. These limits are designed to provide reasonable protection against harmful interference in a residential installation. This equipment generates uses and can radiate radio frequency energy and, if not installed and used in accordance with the instructions, may cause harmful interference to radio communications. However, there is no guarantee that interference will not occur in a particular installation. If this equipment does cause harmful interference to radio or television reception, which can be determined by turning the equipment off and on, the user is encouraged to try to correct the interference by one or more of the following measures:

- Reorient or relocate the receiving antenna.
- Increase the separation between the equipment and receiver.
- Connect the equipment into an outlet on a circuit different from that to which the receiver is connected.
- Consult the dealer or an experienced radio/TV technician for help.

Any changes or modifications not expressly approved by the party responsible for compliance could void the user's authority to operate the equipment.

### Expected LED Lifespan

Over time, use and heat will gradually reduce LED brightness. Clustered LEDs produce more heat than single LEDs, contributing to shorter lifespans if always used at full intensity. The average LED lifespan is 40,000 to 50,000 hours. To extend LED lifespan, maintain proper ventilation around the product, and limit the overall intensity.

## 2. Introduction

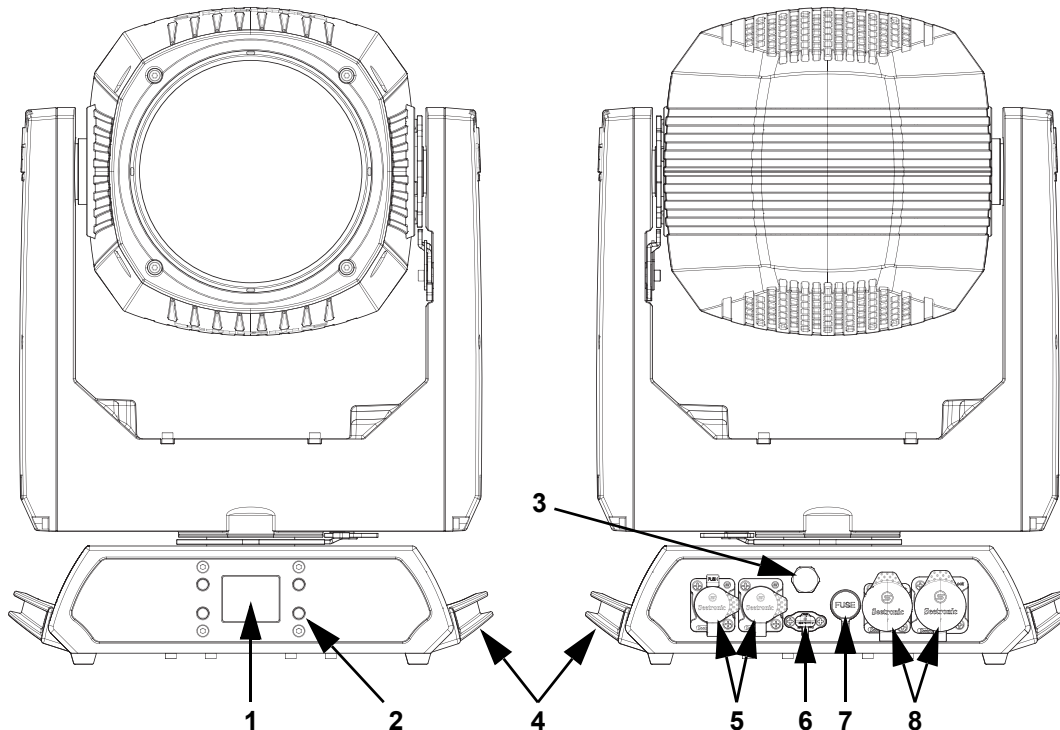
### Description

The Rogue Outcast 1M Beam is a Mint-powered RMB light engine set apart from the rest of the pack, offering a multi-color LED solution and great optics to produce sharp beams of the highest quality white light and color. Create stunning aerial effects with continuous 360 degree rotation, dual overlapping prisms, or pencil-thin beams from a selection of aperture gobos. A compact beam fixture weighing under thirty pounds, designed to deliver fast and precise performance as well as easy event setups. IP65-rated and ready to go anywhere, the Rogue Outcast 1M Beam handles outdoor use as well as it handles haze, dust, confetti and other elements in permanent indoor installations with minimum need for upkeep.

### Features

- Fully featured, high powered IP65 rated beam fixture with a Red, Mint and Blue LED, single gobo wheel with static gobos, layerable prisms in a lightweight and durable aluminum / magnesium casing
- Full color mixing from the LED source for a wide spectrum of color variations. No color wheel needed
- 360° pan and tilt movement for endless movement effects
- Fast and precise movement of pan and tilt functions
- Individually controllable and layerable 6- and 8-facet prisms
- Frost for even light distribution
- 5-pin DMX input/output connections
- Tight 1.9° beam for extremely focused areal effects
- RDM enabled for remote addressing and troubleshooting
- 17 static gobos on one wheel for dynamic gobo effects
- Easy to read OLED display with simple, effective menu options
- Simple and complex DMX channel profiles for programming versatility
- USB-C port for uploading software

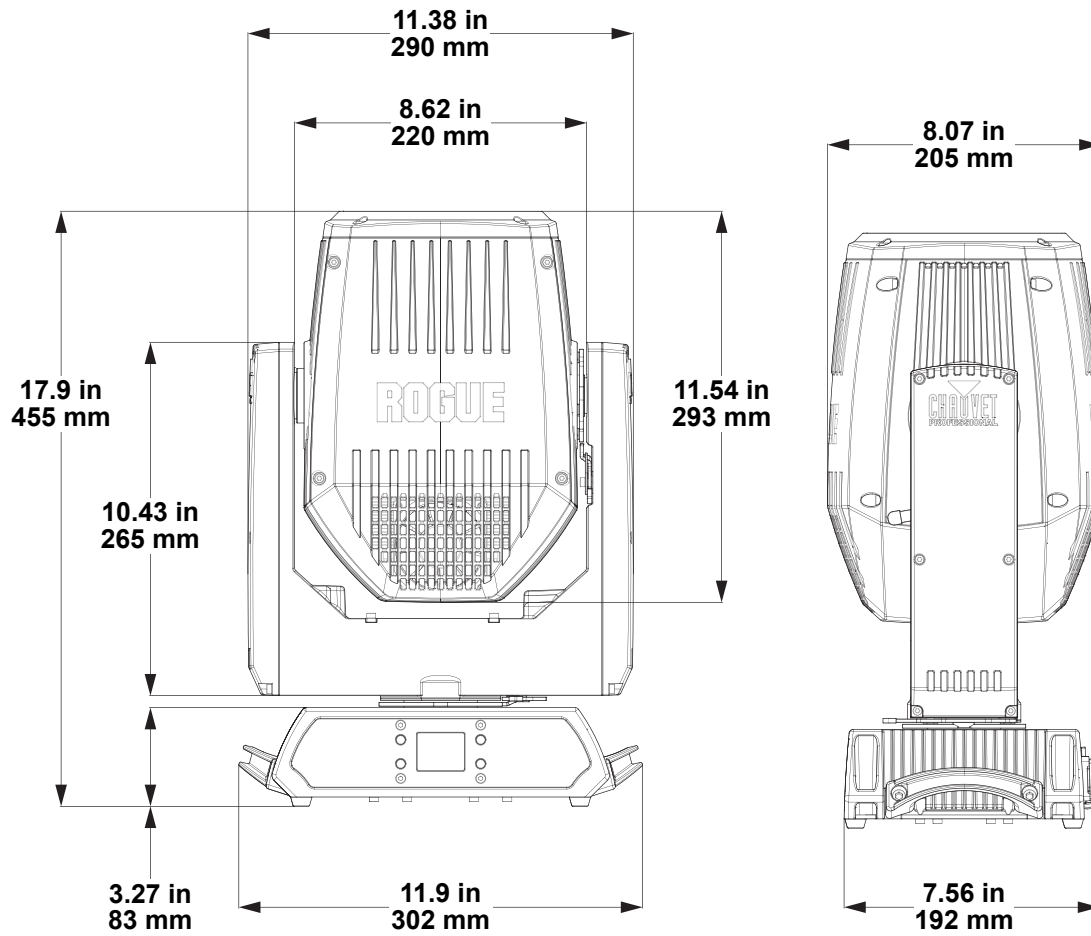
### Product Overview



#	Name	#	Name
1	LCD display	5	DMX in/out
2	Menu buttons	6	USB C port
3	Humidity control valve	7	Fuse holder
4	Carry handle	8	Power in/out



## Product Dimensions



### 3. Setup

#### AC Power

The Rogue Outcast 1M Beam has an auto-ranging power supply and it can work with an input voltage range of 100 to 240 VAC, 50/60 Hz.

To determine the product's power requirements (circuit breaker, power outlet, and wiring), use the current value listed on the label affixed to the product's back panel, or refer to the product's specifications chart. The listed current rating indicates the product's average current draw under normal conditions.



- **Always connect the product to a protected circuit (a circuit breaker or fuse). Ensure the product has an appropriate electrical ground to avoid the risk of electrocution or fire.**
- **To eliminate unnecessary wear and improve its lifespan, during periods of non-use completely disconnect the product from power via breaker or by unplugging it.**



**Never connect the product to a rheostat (variable resistor) or dimmer circuit, even if the rheostat or dimmer channel serves only as a 0 to 100% switch.**

#### AC Plug

The Rogue Outcast 1M Beam comes with a power input cable terminated with a Seetronic Powerkon A connector on one end and an Edison plug on the other end (U.S. market). If the power cable which came with the product has no plug, or if it is necessary to change the plug, use the table below to wire a plug.

Connection	Wire (U.S.)	Wire (Europe)	Screw Color
AC Live	Black	Brown	Yellow or Brass
AC Neutral	White	Blue	Silver
AC Ground	Green/Yellow	Green/Yellow	Green

#### Fuse Replacement

1. Disconnect this product from the power outlet.
2. Using a flat-head screwdriver, unscrew the fuse holder cap from the housing.
3. Remove the blown fuse and replace with another fuse of the same type and rating (F 5 A, 250 V).
4. Screw the fuse holder cap back in place and reconnect power.

#### Power Linking

It is possible to power link Rogue Outcast 1M Beam products. See the table below for the current draw at each voltage and frequency:

	100 V, 60 Hz	120 V, 60 Hz	208 V, 60 Hz	230 V, 50 Hz	240 V, 50 Hz
<b>Current Draw</b>	2.32 A	1.95 A	1.11 A	0.99 A	0.96 A

Never exceed 12 A on a single circuit. Power-linking cables can be purchased separately.

#### DMX Linking

The Rogue Outcast 1M Beam can be linked to a DMX controller using a 5-pin DMX connection. If using other DMX-compatible products with this product, it's possible to control each individually with a single DMX controller.

#### DMX Personalities

The Rogue Outcast 1M Beam uses a 5-pin DMX data connection for the **21CH** and **25CH** DMX personalities.

- Refer to the [Operation](#) chapter to learn how to configure the Rogue Outcast 1M Beam to work in these personalities.
- The [DMX Channel Assignments and Values](#) section provides detailed information regarding the DMX personalities.



**For information about DMX standards, Master/Slave connectivity, or the DMX cables needed to link this product to a DMX controller, download the DMX Primer from the Chauvet website: [www.chauvetprofessional.com](http://www.chauvetprofessional.com).**

#### Remote Device Management

Remote Device Management, or RDM, is a standard for allowing DMX-enabled devices to communicate bi-directionally along existing DMX cabling. Check the DMX controller's User Manual or with the manufacturer as not all DMX controllers have this capability. The Rogue Outcast 1M Beam supports RDM protocol that allows feedback to make changes to menu map options.

## USB Software Update

The Rogue Outcast 1M Beam allows for software update through USB using the built-in USB port. To update the software using a USB type C flash drive, do the following:

1. Power on the fixture and plug the flash drive into the USB port.
2. Once the flash drive has been detected, the message **"USB UPDATE"** will be displayed. Select **YES**.
3. The next screen will show the software versions available for this fixture on the USB drive. For multiple versions of the software for the same fixture, use **<UP>** or **<DOWN>** to select the desired version. Press **<ENTER>**.
4. The **"USB UPDATE"** screen will re-appear. Select **<YES>**.
5. The upgrade will start. **DO NOT** turn off the power or disconnect the USB while the USB LED is still blinking during the process. The screen display will read: **"USB UPDATE WAIT"**. USB update can take several minutes to complete.



**When the USB stops blinking, all the motors will power down and the display will go blank. DO NOT turn off the power. The fixture will automatically reboot when the update is done.**

6. Go to the Fixture Information on the product's menu map and confirm the firmware revision
7. When the boot-up process is finished, restart the product.



- **Place the .chl file in the root directory of the USB drive.**
- **The product's USB port supports up to 32GB capacity and only works with FAT32 file format.**



**Turning off the power or removing the USB while still blinking during the update will cause partial or total firmware failure in the targeted fixture(s). If this occurs, the user will need the UPLOAD 08 device to fix this. Please contact Chauvet regarding this device.**

## Mounting

Before mounting the product, read and follow the safety recommendations indicated in the [Safety Notes](#).

### Orientation

Always mount this product in a safe position, making sure there is adequate room for ventilation, configuration, and maintenance.

### Rigging

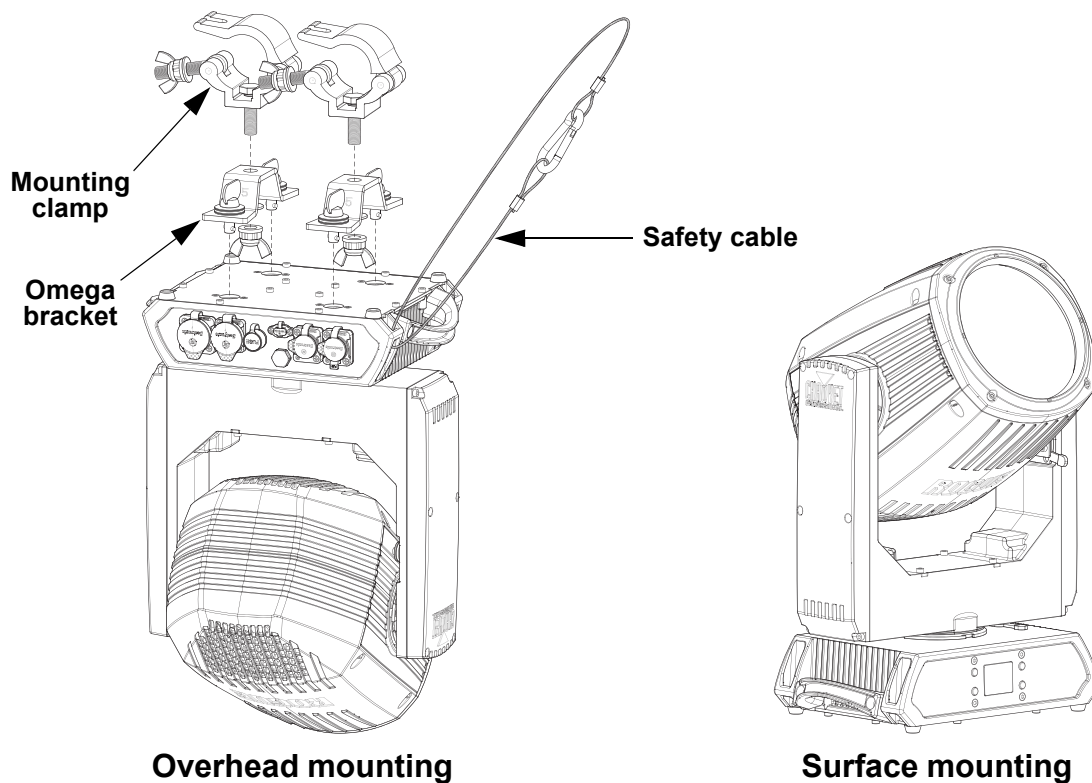
Chauvet recommends using the following general guidelines when mounting this product.

- Before deciding on a location for the product, make sure there is easy access to the product for maintenance and programming purposes.
- Make sure that the structure and attachment points can support the weight before hanging the product (see the [Technical Specifications](#) for weight information).
- When mounting the product overhead, always use a safety cable. Mount the product securely to a rigging point, whether an elevated platform or a truss.
- When rigging the product onto a truss, use a mounting clamp of appropriate weight capacity.

### Procedure

The Rogue Outcast 1M Beam comes with 105 mm Omega brackets. The user can directly attach mounting clamps to these Omega brackets. Make sure the clamps are capable of supporting the weight of this product. For the Chauvet Professional line of mounting clamps, go to <http://www.trusst.com/products>.

### Mounting Diagram



## 4. Operation

### Control Panel Description

Button	Function
<MENU>	Exits from the current menu or function
<ENTER>	Enables the currently displayed menu or sets the selected value into the selected function
<UP>	Navigates upwards through the menu list or increases the numeric value when in a function
<DOWN>	Navigates downwards through the menu list or decreases the value when in a function

### Programming

Refer to the menu map to understand the menu options. The menu map shows the main menu and a variable number of programming levels for each option.

- To access the main menu, press <MENU>.
- To navigate to an option in the main menu, press <UP> or <DOWN> until the option is indicated.
- Press <ENTER> to select the indicated option.
- Use <UP> or <DOWN> to navigate within a programming level until the desired option is indicated.
- To return to the main menu, press <MENU> repeatedly until it shows on the display.

### Passcode

When prompted, enter the following passcode: <UP>, <DOWN>, <UP>, <DOWN>, <ENTER>.

It is not possible to change this passcode.

### Menu Map

Refer to the Rogue Outcast 1M Beam product page on [www.chauvetprofessional.com](http://www.chauvetprofessional.com) for the latest menu map and software.

Main Menu	Programming Levels		Description	
Address	001–512		Sets the starting address	
DMX	21CH		Selects the DMX personality	
	25CH			
Run Mode	Auto Test		Auto test all functions	
	Manual Test	Pan	000–255	Manually control and test all settings through the control panel
		Pan Fine		
		Tilt		
		Tilt Fine		
		P/T Speed		
		Pan Rotate		
		Tilt Rotate		
		Dimmer		
		Dimmer Fine		
		Shutter		
		Red		
		Red Fine		
		Green		
		Green Fine		
		Blue		
		Blue Fine		
		Color		
		Gobo		
		Prism1		
Prism1 Rotate				
Prism2				
Prism2 Rotate				

Main Menu	Programming Levels			Description
<b>Run Mode</b> (cont.)	<b>Manual Test</b> (cont.)	<b>Frost</b>	<b>000–255</b>	Manually control and test all settings through the control panel
		<b>Focus</b>		
		<b>Control</b>		
<b>Setup</b>	<b>Pan Reverse</b>	<b>OFF</b>	Normal pan	
		<b>ON</b>	Reversed pan	
	<b>Tilt Reverse</b>	<b>OFF</b>	Normal tilt	
		<b>ON</b>	Reversed tilt	
	<b>Screen Reverse</b>	<b>AUTO</b>	Automatic screen display	
		<b>YES</b>	Inverted screen display	
		<b>NO</b>	Normal screen display	
	<b>Pan Angle</b>	<b>540</b>	540° pan range	
		<b>360</b>	360° pan range	
		<b>180</b>	180° pan range	
	<b>Tilt Angle</b>	<b>270</b>	270° tilt range	
		<b>180</b>	180° tilt range	
		<b>90</b>	90° tilt range	
	<b>BL. O. P/T Move</b>	<b>NO</b>	Disable blackout while panning/tilting	
		<b>YES</b>	Blackout while panning/tilting	
	<b>BL. O. Gobo Move</b>	<b>NO</b>	Disable blackout while gobo wheel is moving	
		<b>YES</b>	Blackout while gobo wheel is moving	
	<b>Backlight Timer</b>	<b>30S</b>	Display turns off after 30 seconds	
		<b>1M</b>	Display turns off after 1 minute	
		<b>5M</b>	Display turns off after 5 minutes	
		<b>ON</b>	Display stays on	
	<b>PWM Option</b>	<b>600Hz</b>	Sets the Pulse Width Modulation frequency	
		<b>1200Hz</b>		
		<b>2000Hz</b>		
		<b>4000Hz</b>		
		<b>6000Hz</b>		
		<b>15000Hz</b>		
	<b>Dimmer Curve</b>	<b>Linear</b>	Sets the dimmer curve	
		<b>Square</b>		
		<b>I Squa</b>		
		<b>SCurve</b>		
	<b>Fans</b>	<b>Auto</b>	Fan speed according to product temperature	
<b>ECO</b>		Quiet mode		
<b>Full</b>		Fan speed set on high		
<b>LED R POWER</b>	<b>064–100</b>	Sets red LED power		
<b>LED G POWER</b>		Sets green LED power		
<b>LED B POWER</b>		Sets blue LED power		
<b>White Mode</b>	<b>On</b>		Uses factory default white setting	
	<b>Off</b>		Uses maximum output values	
	<b>Custom</b>	<b>RED</b>	<b>000–255</b>	Sets custom red LED maximum value
		<b>GREEN</b>		Sets custom green LED maximum value
<b>BLUE</b>		Sets custom blue LED maximum value		
<b>USB Update</b>	<b>NO</b>		Enables/disables software update using USB	
	<b>YES</b>			

## Operation

Main Menu	Programming Levels		Description
Setup (cont.)	Reset	Pan/Tilt	NO YES
		Prism	
		Gobo	
		Frost/Focus	
		All	
Factory Set	NO YES	Reset to factory default settings	
Sys Info	Ver:	V1.240515	Shows firmware version
	Running Mode:	---	Shows current running mode
	DMX Address:	---	Shows current DMX address
	Temperature R:	-- C	Shows the red LED temperature in °C
	Temperature G:	-- C	Shows the green LED temperature in °C
	Temperature B:	-- C	Shows the blue LED temperature in °C
	Fixture Hours	-----	Shows number of hours the product has been powered on
	LED Hours:	-----	Shows number of hours LED has been on
	UID:	-----	Shows product UID
	ZFan1:	----	Shows fan speed
	ZFan2:	----	
	Base Fan1:	----	Shows base fan speed
Base Fan2:	----		

## DMX Configuration

Use control configurations to operate the product with a DMX controller.

### DMX Personalities

To set the DMX personality:

1. Go to the **Run Mode** main level.
2. Select the **DMX** option.
3. Select the desired personality, from **21CH** or **25CH**.



- See the [Starting Address](#) section for the highest selectable starting address for each personality.
- Make sure that the starting addresses on the various products do not overlap due to the new personality setting.

### Starting Address

Each product will respond to a unique starting address from the controller. All products with the same starting address will respond in unison.

- The highest selectable starting address for **21CH** is **492**.
- The highest selectable starting address for **25CH** is **488**.

To set the starting address in DMX mode:

1. Go to the **Address** main level.
2. Select the starting address (**001–512**).

## DMX Channel Assignments and Values

21CH	25CH	Function	Value	Percent/Setting
1	1	Pan	000 ⇔ 255	0–100%
2	2	Pan fine	000 ⇔ 255	Fine control (16-bit)
3	3	Tilt	000 ⇔ 255	0–100%
4	4	Tilt fine	000 ⇔ 255	Fine control (16-bit)
5	5	Pan/tilt speed	000 ⇔ 255	Fast to slow
6	6	Pan rotation	000	No function
			001 ⇔ 127	Rotation, slow to fast
			128	Stop
			129 ⇔ 255	Reverse rotation, slow to fast
7	7	Tilt rotation	000	No function
			001 ⇔ 127	Rotation, slow to fast
			128	Stop
			129 ⇔ 255	Reverse rotation, slow to fast
8	8	Dimmer	000 ⇔ 255	0–100%
–	9	Fine dimmer	000 ⇔ 255	Fine control (16-bit)
9	10	Strobe	000 ⇔ 003	No function
			004 ⇔ 007	On
			008 ⇔ 076	Strobe, slow to fast
			077 ⇔ 145	Pulse strobe, slow to fast
			146 ⇔ 215	Random strobe, slow to fast
			216 ⇔ 255	On
10	11	Red	000 ⇔ 255	0–100%
–	12	Fine red	000 ⇔ 255	Fine control (16-bit)
11	13	Green	000 ⇔ 255	0–100%
–	14	Fine green	000 ⇔ 255	Fine control (16-bit)
12	15	Blue	000 ⇔ 255	0–100%
–	16	Fine blue	000 ⇔ 255	Fine control (16-bit)
13	17	Color macro	000	No function
			001	Blue (red 0%, green 0%, blue 100%)
			002 ⇔ 039	Green increases (red 0%, green 0–100%, blue 100%)
			040	Cyan (red 0%, green 100%, blue 100%)
			041 ⇔ 079	Blue decreases (red 0%, green 100%, blue 100–0%)
			080	Green (red 0%, green 100%, blue 0%)
			081 ⇔ 119	Red increases (red 0–100%, green 100%, blue 0%)
			120	Yellow (red 100%, green 100%, blue 0%)
			121 ⇔ 159	Green decreases (red 100%, green 100–0%, blue 0%)
			160	Red (red 100%, green 0%, blue 0%)
			161 ⇔ 198	Blue increases (red 100%, green 0%, blue 0–100%)
			199	Magenta (red 100%, green 0%, blue 100%)
			200 ⇔ 238	Red decreases (red 100–0%, green 0%, blue 100%)
			239	Blue (red 0%, green 0%, blue 100%)
			240 ⇔ 247	Color fade, fast to slow
			248 ⇔ 255	Color snap, fast to slow



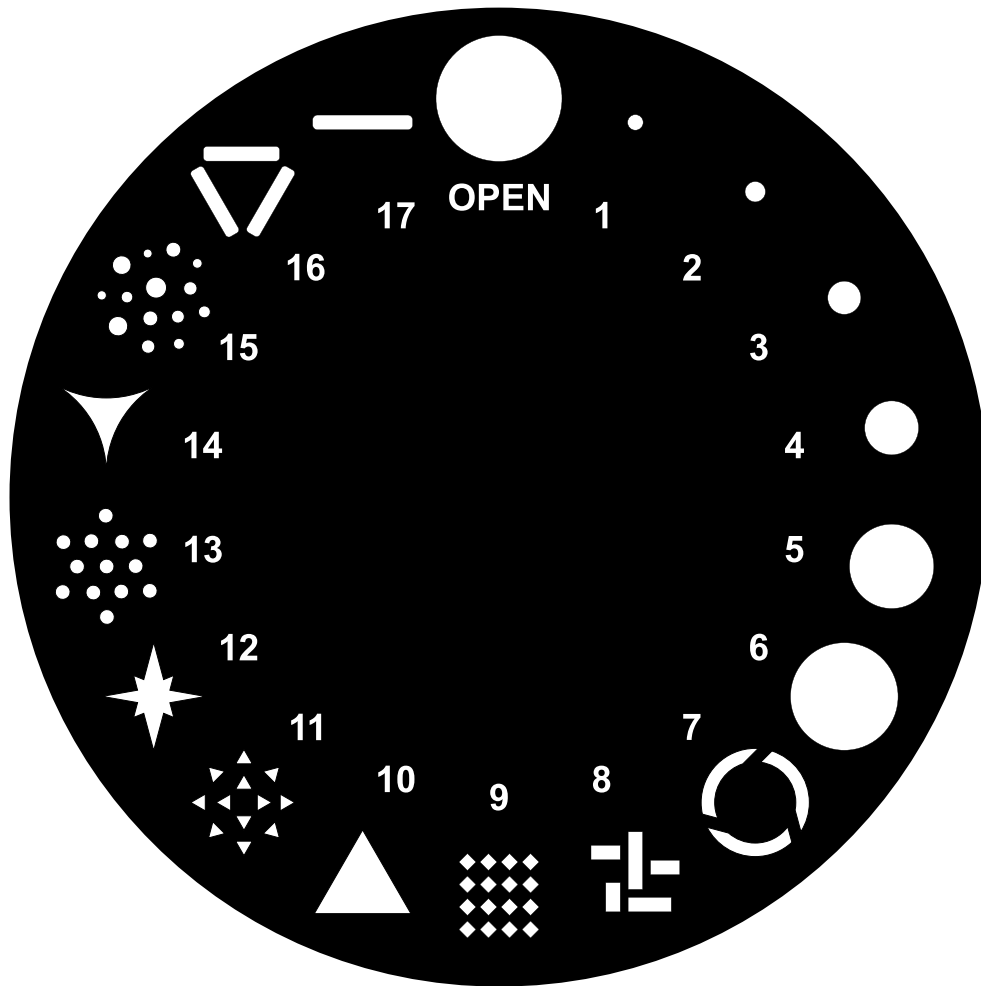
## Operation

21CH	25CH	Function	Value	Percent/Setting
14	18	Gobo wheel (see <a href="#">Gobo Wheel</a> )	000 ⇔ 003	Open
			004 ⇔ 006	Gobo 1
			007 ⇔ 009	Gobo 2
			010 ⇔ 012	Gobo 3
			013 ⇔ 015	Gobo 4
			016 ⇔ 018	Gobo 5
			019 ⇔ 021	Gobo 6
			022 ⇔ 024	Gobo 7
			025 ⇔ 027	Gobo 8
			028 ⇔ 030	Gobo 9
			031 ⇔ 033	Gobo 10
			034 ⇔ 036	Gobo 11
			037 ⇔ 039	Gobo 12
			040 ⇔ 042	Gobo 13
			043 ⇔ 045	Gobo 14
			046 ⇔ 048	Gobo 15
			049 ⇔ 051	Gobo 16
			052 ⇔ 055	Gobo 17
			056 ⇔ 059	Open
			060 ⇔ 063	Gobo 1 shaking, slow to fast
			064 ⇔ 067	Gobo 2 shaking, slow to fast
			068 ⇔ 071	Gobo 3 shaking, slow to fast
			072 ⇔ 075	Gobo 4 shaking, slow to fast
			076 ⇔ 079	Gobo 5 shaking, slow to fast
			080 ⇔ 083	Gobo 6 shaking, slow to fast
			084 ⇔ 087	Gobo 7 shaking, slow to fast
			088 ⇔ 091	Gobo 8 shaking, slow to fast
			092 ⇔ 095	Gobo 9 shaking, slow to fast
			096 ⇔ 099	Gobo 10 shaking, slow to fast
			100 ⇔ 103	Gobo 11 shaking, slow to fast
			104 ⇔ 107	Gobo 12 shaking, slow to fast
			108 ⇔ 111	Gobo 13 shaking, slow to fast
			112 ⇔ 115	Gobo 14 shaking, slow to fast
116 ⇔ 119	Gobo 15 shaking, slow to fast			
120 ⇔ 123	Gobo 16 shaking, slow to fast			
124 ⇔ 127	Gobo 17 shaking, slow to fast			
128 ⇔ 189	Gobo scroll, slow to fast			
190 ⇔ 193	Stop			
194 ⇔ 255	Reverse gobo scroll, slow to fast			
15	19	Prism 1	000 ⇔ 004	No function
			005 ⇔ 255	Prism insert
16	20	Prism 1 rotation	000 ⇔ 127	Prism index
			128 ⇔ 189	Clockwise rotation, fast to slow
			190 ⇔ 193	Stop
			194 ⇔ 255	Counterclockwise rotation, slow to fast
17	21	Prism 2	000 ⇔ 004	No function
			005 ⇔ 255	Prism index

21CH	25CH	Function	Value	Percent/Setting
18	22	Prism 2 rotation	000 ⇔ 127	Prism index
			128 ⇔ 189	Clockwise rotation, fast to slow
			190 ⇔ 193	Stop
			194 ⇔ 255	Counterclockwise rotation, slow to fast
19	23	Frost	000 ⇔ 004	Frost off
			005 ⇔ 255	Frost on
20	24	Focus	000 ⇔ 255	0–100%
21	25	Control	000 ⇔ 007	No function
			008 ⇔ 015	Blackout on pan/tilt movement
			016 ⇔ 023	No function
			024 ⇔ 031	Blackout on gobo movement
			032 ⇔ 047	No function
			048 ⇔ 056	Blackout on pan/tilt/gobo movement
			057	PWM 600 Hz
			058	PWM 1200 Hz
			059	PWM 2000 Hz
			060	PWM 4000 Hz
			061	PWM 6000 Hz
			062	PWM 15000 Hz
			063	No function
			064	Linear dimmer curve
			065	Square dimmer curve
			066	Inverse square dimmer curve
			067	S-curve dimmer curve
			068 ⇔ 095	No function
			096 ⇔ 103	Reset pan
			104 ⇔ 111	Reset tilt
			112 ⇔ 119	No function
			120 ⇔ 127	Reset gobo wheel
			128 ⇔ 135	No function
			136 ⇔ 143	Reset prisms
			144 ⇔ 151	Reset focus
			152 ⇔ 159	Reset all
			160 ⇔ 167	No function
			168 ⇔ 175	Reset frost
			176 ⇔ 183	White mode on
			184 ⇔ 191	White mode off
			192 ⇔ 199	Fan mode Full
			200 ⇔ 207	Fan mode ECO
208 ⇔ 215	Fan mode Auto			
216 ⇔ 255	No function			

Operation

Gobo Wheel



## Settings Configuration

### Pan Reverse

To set the orientation of the pan:

1. Go to the **Setup** main level.
2. Select the **Pan Reverse** option.
3. Select from **OFF** (normal pan motion), or **ON** (reversed pan motion).

### Tilt Reverse

To set the orientation of the tilt:

1. Go to the **Setup** main level.
2. Select the **Tilt Reverse** option.
3. Select from **OFF** (normal tilt motion), or **ON** (reversed tilt motion).

### Screen Reverse

To set the orientation of the display:

1. Go to the **Setup** main level.
2. Select the **Screen Reverse** option.
3. Select from **AUTO** (automatic screen orientation), **YES** (upside-down), or **NO** (right-side up).

### Pan Angle

To set the maximum angle of the pan:

1. Go to the **Setup** main level.
2. Select the **Pan Angle** option.
3. Select from **540** (540°), **360** (360°), or **180** (180°).

### Tilt Angle

To set the maximum angle of the tilt:

1. Go to the **Setup** main level.
2. Select the **Tilt Angle** option.
3. Select from **270** (270°), **180** (180°), or **90** (90°).

### BL.O. P/T Move

This option enables/disables blackout on pan/tilt move.

1. Go to the **Setup** main level.
2. Select the **BL.O.P/T Move** option.
3. Select **NO** or **YES**.

### BL.O. Gobo Move

This option enables/disables blackout on gobo wheel move.

1. Go to the **Setup** main level.
2. Select the **BL.O.Gobo Move** option.
3. Select **NO** or **YES**.

### Display Backlight Timer

To set the amount of time before an inactive display will turn off:

1. Go to the **Setup** main level.
2. Select the **Backlight Timer** option.
3. Select the length of the backlight timer, from **30S** (30 seconds), **1M** (1 minute), **5M** (5 minutes), or **ON** (always on).

### Pulse Width Modulation

To set the frequency of the pulse width modulation:

1. Go to the **Setup** main level.
2. Select the **PWM Option** option.
3. Select the PWM frequency, from **600Hz**, **1200Hz**, **2000Hz**, **4000Hz**, **6000Hz**, or **15000Hz**.

### Dimmer Curve

To set the dimmer curve:

1. Go to the **Setup** main level.
2. Select the **Dimmer Curve** option.
3. Select the dimmer curve, from **Linear**, **Square**, **I Squa**, or **SCurve**.

## Operation

---

### Fan Mode

To set the fan speed mode:

1. Go to the **Settings** main level.
2. Select the **Fans** option.
3. Select the fan mode, from **Auto** (fan speed adjusts to product temperature), **ECO** (quiet mode), or **Full** (fan speed at maximum).

### LED Power

To set the power of each LED color:

1. Go to the **Setup** main level.
2. Select from the **LED R POWER** (red), **LED G POWER** (green), or **LED B POWER** (blue) options.
3. Set the selected LED power from **064–100**.

### White Mode

To turn the White Mode on or off, or edit the balance of the White Mode:

1. Go to the **Setup** main level.
2. Select the **White Mode** option.
3. Select **On** (to use the factory default white balance), **Off** (to set all colors to maximum output), or **Custom** (to customize the White Mode).
4. If **Custom** was selected, then select which color to edit, from **RED**, **GREEN**, or **BLUE**.
5. Increase or decrease the maximum output level of the selected color, from **000–255**.

### USB Update

To enable or disable software update using USB:

1. Go to the **Setup** main level.
2. Select the **USB Update** option.
3. Select **NO** (disables software update through USB) or **YES** (enables software update through USB).



See the [USB Software Update](#) section for the detailed instructions on how to update the Rogue Outcast 1M Beam software using a USB C connection.

### Reset Functions

To reset specific functions or the entire product:

1. Go to the **Setup** main level.
2. Select the **Reset** option.
3. Select the functions to reset, from **Pan/Tilt**, **Prism**, **Gobo**, **Frost/Focus**, or **All**.
4. Select **NO** (to cancel) or **YES** (to reset the selected functions).

### Factory Reset

To reset the product to factory default settings:

1. Go to the **Factory Set** main level.
2. Select **No** (do not reset) or **Yes** (reset).

### Test Mode

#### Auto Test

To have the Rogue Outcast 1M Beam automatically test all functions one after the other:

1. Go to the **Run Mode** main level.
2. Select the **Auto Test** option.

#### Manual Test

To manually test an individual function of the Rogue Outcast 1M Beam:

1. Go to the **Run Mode** main level.
2. Select the **Manual Test** option.
3. Select a function to test, from **Pan**, **Pan Fine**, **Tilt**, **Tilt Fine**, **P/T Speed**, **Pan Rotate**, **Tilt Rotate**, **Dimmer**, **Dimmer Fine**, **Shutter**, **Red**, **Red Fine**, **Green**, **Green Fine**, **Blue**, **Blue Fine**, **Color**, **Gobo**, **Prism1**, **Prism1 Rotate**, **Prism2**, **Prism2 Rotate**, **Frost**, **Focus**, or **Control**.
4. Increase or decrease the value of the selected function from **000–255** to test it.

## System Information

The information section of the menu displays statistics and the current status of the product's various functions. To view this information:

1. Go to the **Sys Info** main level.
2. Use **<UP>** and **<DOWN>** to view all information.

## Offset Mode (Zero Adjust)

The Offset mode provides fine adjustments for the home position of the pan, tilt, and zoom movements. To adjust these options:

1. From the main level screen, press and hold **<MENU>** until the passcode screen appears.
2. Use **<UP>** (increase value) and **<DOWN>** (next value) to enter the passcode: **2323** and press **<ENTER>**.
3. Select the "zero" position to adjust, from **PAN, TILT, GOBO, FOCUS, PRISM1, PRISM2, PRISM2 ROTATE, FROST, DIMMER R, DIMMER G, DIMMER B, RDM4, RDM5, or RDM6**.
4. Adjust the "zero" position for the selected function from **000–255**.

# 5. Maintenance

## Product Maintenance

Dust build-up reduces light output performance and can cause overheating. This can lead to reduction of the light source's life and/or mechanical wear. To maintain optimum performance and minimize wear, clean each lighting product at least twice a month. However, be aware that usage and environmental conditions could be contributing factors to increase the cleaning frequency.

To clean the product, follow the instructions below:

1. Unplug the product from power.
2. Wait until the product is at room temperature.
3. Use a vacuum (or dry compressed air) and a soft brush to remove dust collected on the external surface/vents.
4. Clean all transparent surfaces with a mild soap solution, ammonia-free glass cleaner, or isopropyl alcohol.
5. Apply the solution directly to a soft, lint free cotton cloth or a lens cleaning tissue.
6. Softly drag any dirt or grime to the outside of the transparent surface.
7. Gently polish the transparent surfaces until they are free of haze and lint.



**Always dry the transparent surfaces carefully after cleaning them.**



**Do not spin the cooling fans using compressed air because they could be damaged.**

## Torque Measurements

To maintain the IP rating when reassembling the product, use the given torque measurements for each of the following screws and bolts:

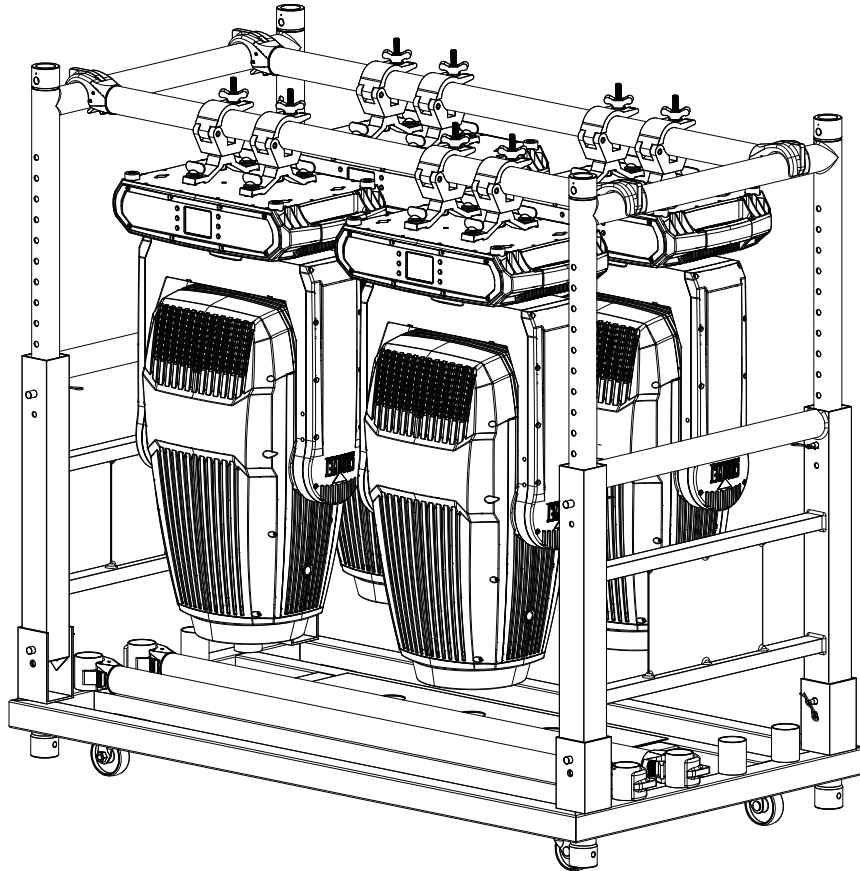
Fixture Parts	Torque Rating (Kgf.cm)	Torque Rating (lbf.in)
Screws around power and data ports	3.5	3
Fuse	7.1	6.1
Screws around display	9.1	8
Omega bracket holder	12.2	10.6
Allen Key screws for lens ring	15.3	13.3
Screws inside feet	16.3	14.1
Base screws around outside (not the feet)	16.3	14.1
Base screws in middle	16.3	14.1
Center of yoke plate	16.3	14.1
Allen Key screws holding in front lens cover	18.3	16
Arm cover screws	25.5	22.1
Allen Key screws head covers	25.5	22.1

## Vacuum Test Measurements

Use the IP Tester from Chauvet Professional to ensure the product has been reassembled correctly by following the information below:

Parameters	Values
Method	Positive
Test pressure	2.18 kPa
Test duration	60 seconds
PASS state leak pressure	<0.02 kPa

## Transporting on Truss or Racks



**When transporting fixtures in pre-rigged truss and transportation racks, mount fixtures in the vertical position with the lenses facing down and the pan and tilt locks engaged. This is to prevent undue stress on the tilt locks and limit the amount of off-axis bounce on internal components.**



## Technical Specifications

### 6. Technical Specifications

#### Dimensions and Weight

Length	Width	Height	Weight
11.9 in (302 mm)	7.56 in (192 mm)	17.9 in (455 mm)	27.2 lb (12.34 kg)

**Note:** Dimensions in inches are rounded.

#### Power

Power Supply Type	Range	Voltage Selection
Switching (internal)	100 to 240 VAC, 50/60 Hz	Auto-ranging

Parameter	100 V, 60 Hz	120 V, 60 Hz	208 V, 60 Hz	230 V, 50 Hz	240 V, 50 Hz
Consumption	229 W	232 W	223 W	220 W	221 W
Operating Current	2.32 A	1.95 A	1.11 A	0.99 A	0.96 A
Power Linking Current (Products)	12 A (5 products)	12 A (6 products)	12 A (10 products)	12 A (12 products)	12 A (12 products)
Fuse	F 5 A, 250 V	F 5 A, 250 V	F 5 A, 250 V	F 5 A, 250 V	F 5 A, 250 V

Power I/O	U.S./Worldwide	UK/Europe
Power Input Connector	Seetronic Powerkon IP65	Seetronic Powerkon IP65
Power Output Connector	Seetronic Powerkon IP65	Seetronic Powerkon IP65
Power Cable plug	Edison	Local plug

#### Light Source

Type	Color	Quantity	Power	Current	Lifespan
LED	Tri-color RMB	1	120 W	3.34 A	50,000 hours

#### Photometrics

Color Temperature at Full	Front Lens Diameter	CRI
10,398 K	140 mm	80.8

Beam Angle	Field Angle	Cutoff Angle	Illuminance @ 5 m
1.9°	2.7°	3.4°	117,690 lux

#### Thermal

Maximum External Temperature	Cooling System
113 °F (45 °C)	Fan-Assisted Convection

#### Control

DMX I/O Connector	Channel Range
5-pin XLR	21 or 25

#### Ordering

Product Name	Item Name	Item Code	UPC Number
Rogue Outcast 1M Beam	ROGUEOUTCAST1MBEAM	08012301	81462226497



## Contact Us

General Information	Technical Support
<b>Chauvet World Headquarters</b>	
Address: 3360 Davie Rd., Suite 509 Davie, FL 33314 Voice: (954) 577-4455 Fax: (954) 929-5560 Toll Free: (800) 762-1084	Voice: (844) 393-7575 Fax: (954) 756-8015 Email: <a href="mailto:chauvetcs@chauvetlighting.com">chauvetcs@chauvetlighting.com</a> Website: <a href="http://www.chauvetprofessional.com">www.chauvetprofessional.com</a>
<b>Chauvet U.K.</b>	
Address: Pod 1 EVO Park Little Oak Drive, Sherwood Park Nottinghamshire, NG15 0EB UK Voice: +44 (0) 1773 511115 Fax: +44 (0) 1773 511110	Email: <a href="mailto:UKtech@chauvetlighting.eu">UKtech@chauvetlighting.eu</a> Website: <a href="http://www.chauvetprofessional.eu">www.chauvetprofessional.eu</a>
<b>Chauvet Benelux</b>	
Address: Stokstraat 18 9770 Kruishoutem Belgium Voice: +32 9 388 93 97	Email: <a href="mailto:BNLtech@chauvetlighting.eu">BNLtech@chauvetlighting.eu</a> Website: <a href="http://www.chauvetprofessional.eu">www.chauvetprofessional.eu</a>
<b>Chauvet France</b>	
Address: 3, Rue Ampère 91380 Chilly-Mazarin France Voice: +33 1 78 85 33 59	Email: <a href="mailto:FRtech@chauvetlighting.fr">FRtech@chauvetlighting.fr</a> Website: <a href="http://www.chauvetprofessional.eu">www.chauvetprofessional.eu</a>
<b>Chauvet Germany</b>	
Address: Bruno-Bürgel-Str. 11 28759 Bremen Germany Voice: +49 421 62 60 20	Email: <a href="mailto:DEtech@chauvetlighting.de">DEtech@chauvetlighting.de</a> Website: <a href="http://www.chauvetprofessional.eu">www.chauvetprofessional.eu</a>
<b>Chauvet Mexico</b>	
Address: Av. de las Partidas 34 - 3B (Entrance by Calle 2) Zona Industrial Lerma Lerma, Edo. de México, CP 52000 Voice: +52 (728) 690-2010	Email: <a href="mailto:servicio@chauvet.com.mx">servicio@chauvet.com.mx</a> Website: <a href="http://www.chauvetprofessional.mx">www.chauvetprofessional.mx</a>

## Warranty & Returns

For warranty terms and conditions and return information, please visit our website.

For customers in the United States and Mexico: [www.chauvetlighting.com/warranty-registration](http://www.chauvetlighting.com/warranty-registration).

For customers in the United Kingdom, Republic of Ireland, Belgium, the Netherlands, Luxembourg, France, and Germany: [www.chauvetlighting.eu/warranty-registration](http://www.chauvetlighting.eu/warranty-registration).